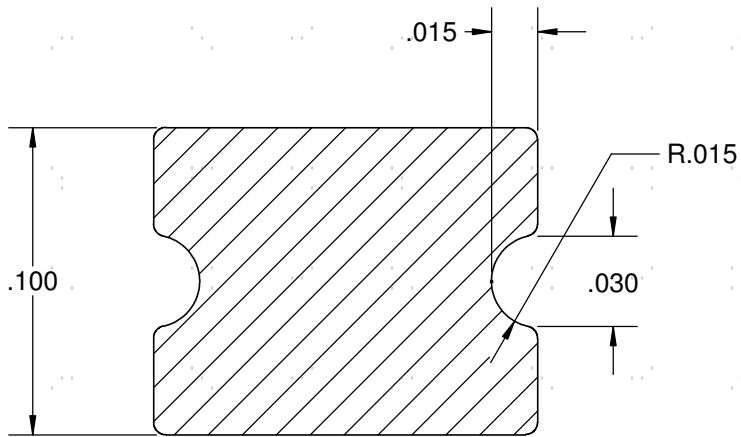
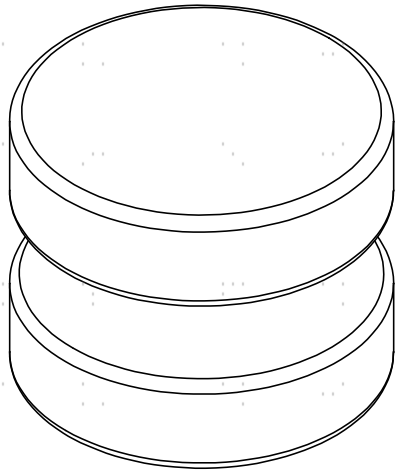
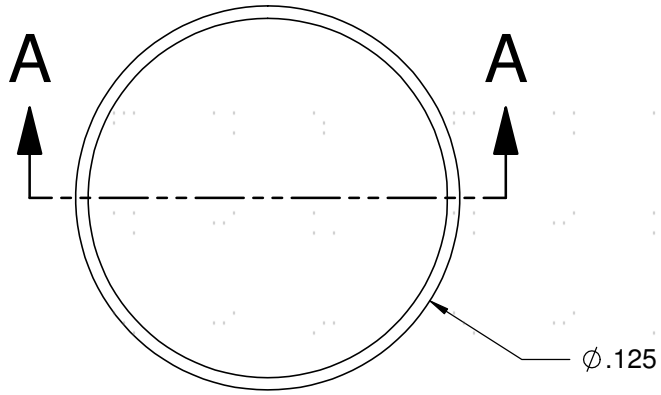
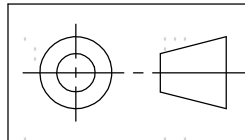


REVISIONS			
REV.	DESCRIPTION	DATE	BY
0	INITIAL RELEASE	4/2/2018	BT



SECTION A-A



UNLESS OTHERWISE SPECIFIED,
DIMENSIONS ARE IN INCHES

TOLERANCES:
FRACTIONAL: ± 0.030
ANGULAR: $\pm 1^\circ$
TWO PLACE DECIMAL: ± 0.004
THREE PLACE DECIMAL: ± 0.004

MATERIAL SEE NOTES

FINISH SEE NOTES

Stanford Magnets

TITLE:

MAGNET, GROOVED DISC

SIZE	DWG. NO.	SMON3065	REV
A			0
SCALE	DO NOT SCALE DRAWING		SHEET 1 OF 1

PROPRIETARY AND CONFIDENTIAL: THE INFORMATION CONTAINED IN THIS DRAWING IS THE SOLE PROPERTY OF Stanford Magnets. ANY REPRODUCTION IN PART OR AS A WHOLE WITHOUT THE WRITTEN PERMISSION OF Stanford Magnets. IS PROHIBITED