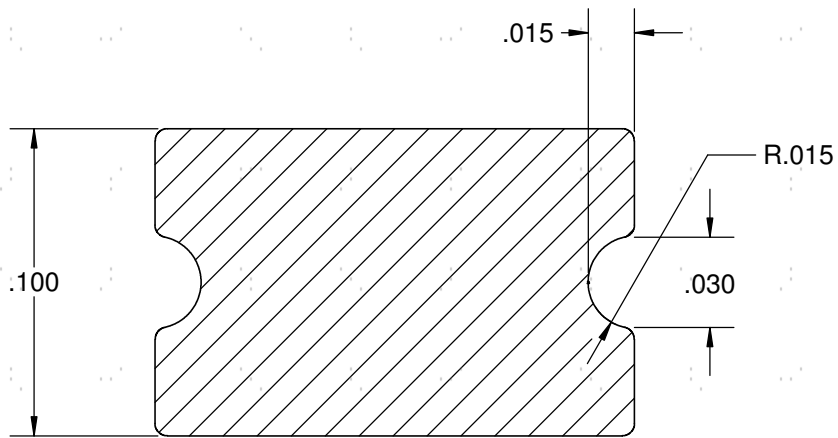
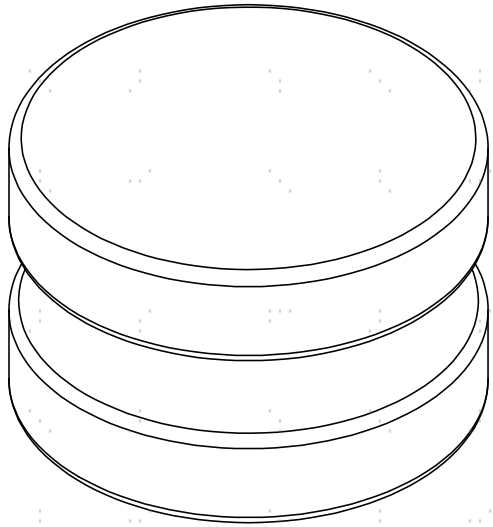
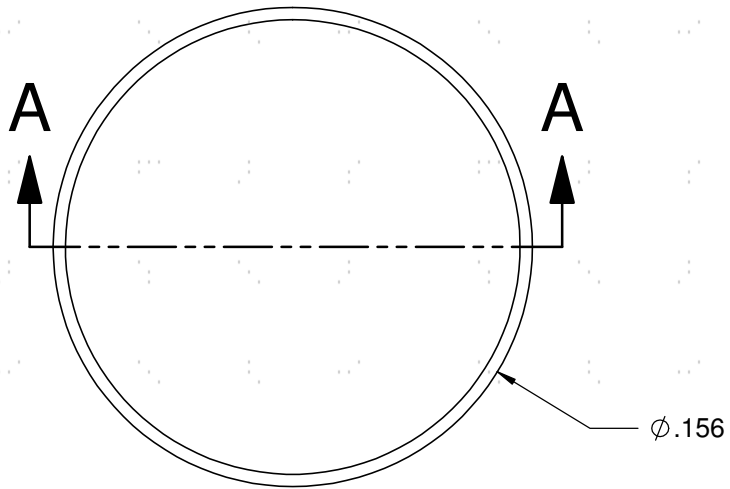
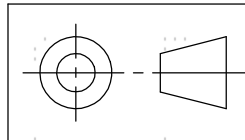


REVISIONS			
REV.	DESCRIPTION	DATE	BY
0	INITIAL RELEASE	4/2/2018	BT



SECTION A-A



UNLESS OTHERWISE SPECIFIED,
DIMENSIONS ARE IN INCHES

TOLERANCES:
 FRACTIONAL: ± 0.030
 ANGULAR: $\pm 1^\circ$
 TWO PLACE DECIMAL: ± 0.004
 THREE PLACE DECIMAL: ± 0.004

MATERIAL SEE NOTES

FINISH SEE NOTES

TITLE:

MAGNET, GROOVED DISC

SIZE

A

DWG. NO.

SMON3066

REV

0

SCALE

DO NOT SCALE DRAWING SHEET 1 OF 1