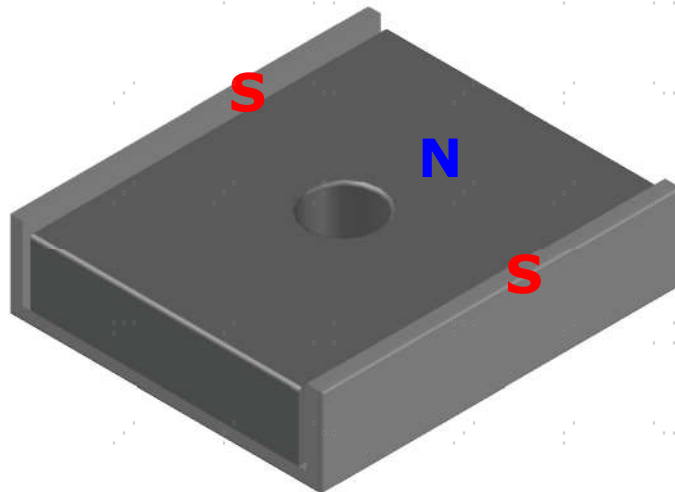
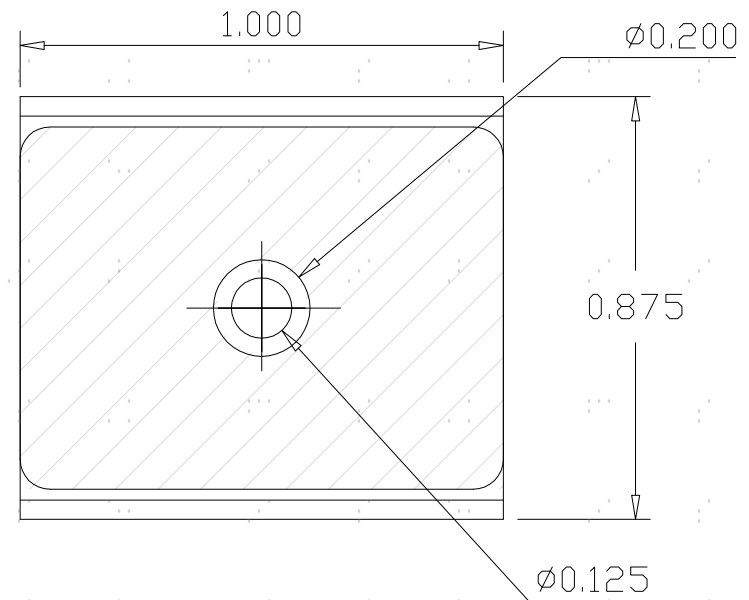
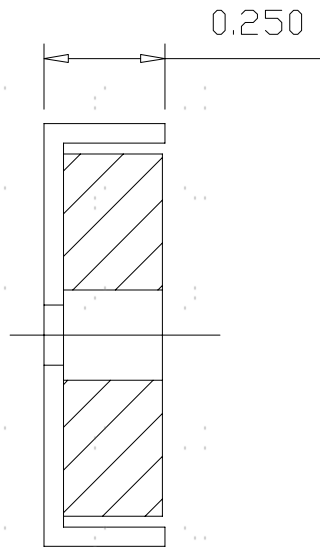


SMON3111

Revision 3



Specifications:

- 1) Oriented Ceramic magnet with a hole
- 2) Nickel plated C.R. steel channel
- 3) Magnet and channel are glued
- 4) Pull pounds: 10 lbs typical (Tested on a clean, ground steel plate 0.375" thick)
- 5) Temperature range: -40°C ~ 100°C
- 6) All dimensions are inches